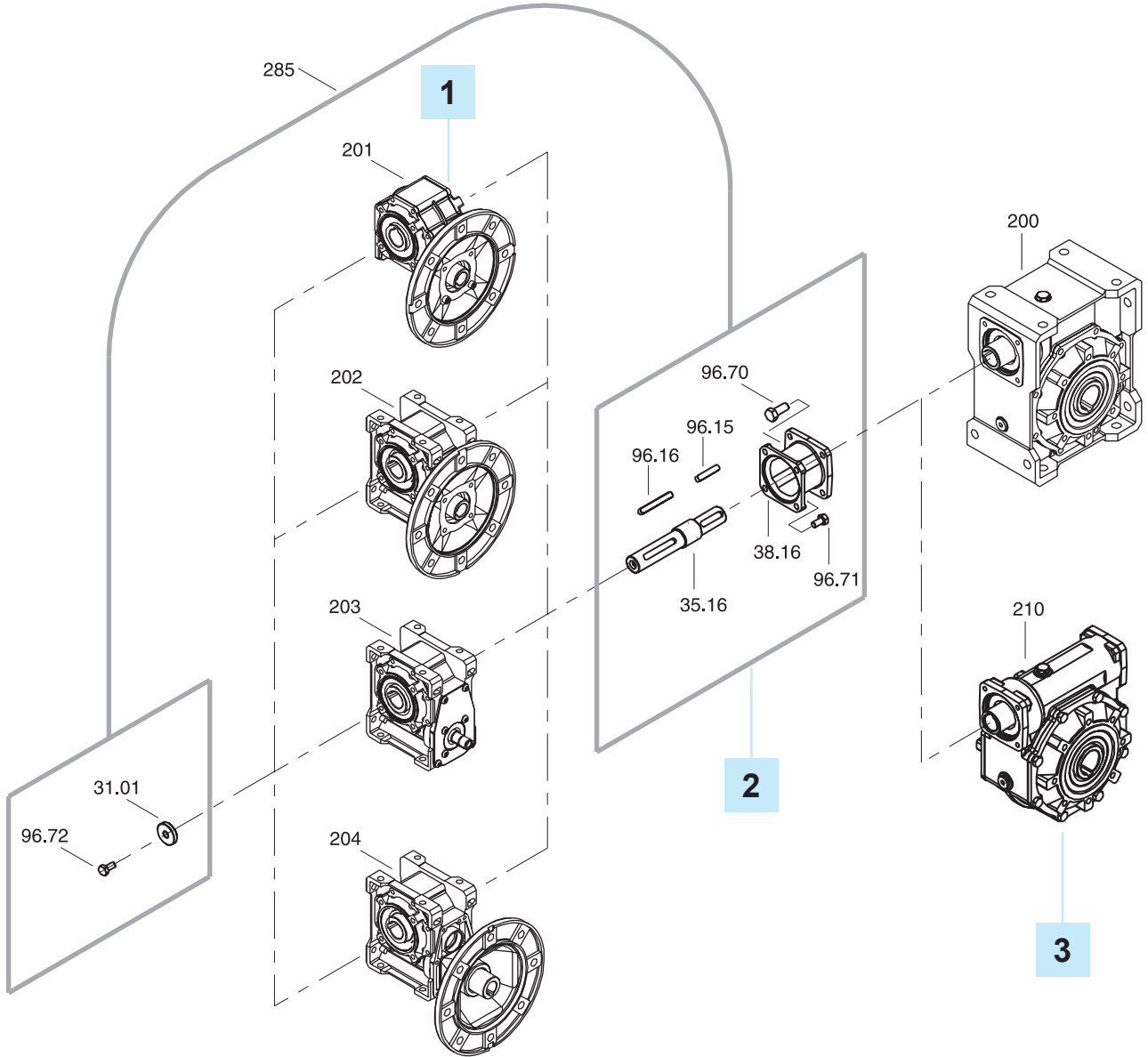


**KXC - XXC - XXA - XXF - KKC**



**1**

**2**

**3**

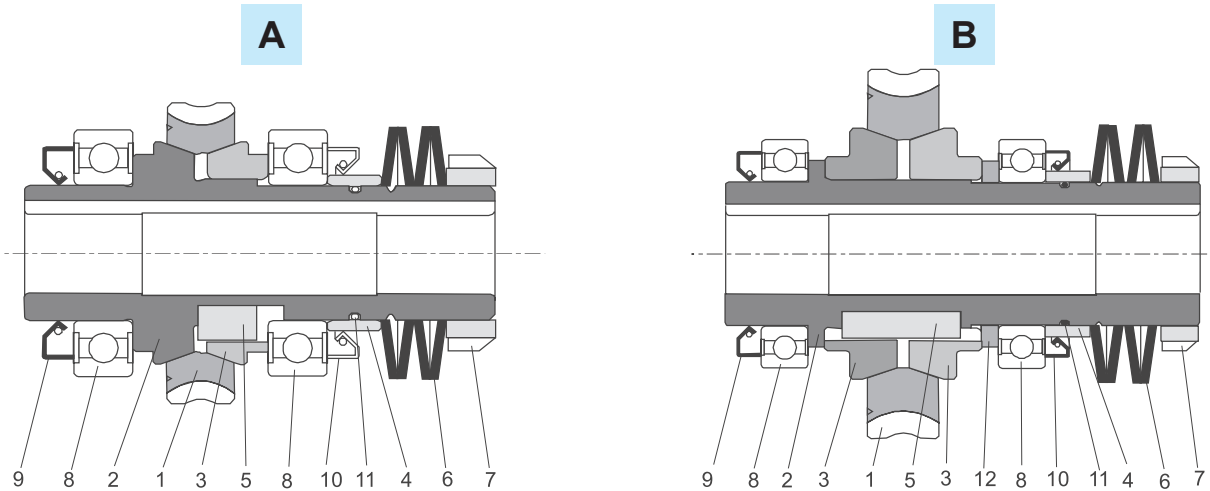
	<b>IN</b> X..P - K..P	<b>KIT</b>	<b>OUT</b> XC - KC
30/30	<b>X30</b> <b>KC30</b>	KIT 30/30 (2850002010)	<b>30/9</b>
30/40		KIT 30/40 (2850002013)	<b>40/11</b>
30/50		KIT 30/50 (2850002016)	<b>50/14</b>
30/63		KIT 30/63 (2850002019)	<b>63/19</b>
40/63	<b>X40</b> <b>KC40</b>	KIT 40/63 (2850002028)	<b>63/19</b>
40/75		KIT 40/75-90 (2850002031)	<b>75/24</b>
40/90			<b>90/24</b>
50/75	<b>X50</b> <b>KC50</b>	KIT 50/75-90 (2850002034)	<b>75/24</b>
50/90		KIT 50/110 (2850002049)	<b>90/24</b>
50/110			<b>110/28</b>
63/110	<b>X63</b> <b>KC63</b>	KIT 63/110-130 (2850002052)	<b>110/28</b>
63/130	<b>X63</b> <b>KC63</b>	KIT 63/110-130 (2850002052)	<b>110/28</b>

# X - H - K - KX - XX - KK

Limitador de par agujero pasante

Torque limiter with through hollow shaft

Limiteur de couple creux continu



A			B				
X - H - K							
30 (LD - LS)	40 (LD - LS)	50 (LD - LS)	63 (LD - LS)	75 (LD - LS)	90 (LD - LS)	110 (LD - LS)	130 (LD - LS)
KX - XX - KK							
30/30 (L1-LD-LS) 30/40 (L1) 30/50 (L1) 30/63 (L1)	30/40 (LD - LS) 40/63 (L1) 40/75 (L1) 40/89 (L1) 40/90 (L1)	30/50 (LD - LS) 50/75 (L1) 50/89 (L1) 50/90 (L1) 50/110 (L1)	30/63 (LD - LS) 40/63 (LD - LS) 63/110 (L1)	40/75 (LD - LS) 50/75 (LD - LS)	40/90 (LD - LS) 50/90 (LD - LS)	50/110 (LD - LS) 63/110 (LD - LS)	63/130 (LD - LS)
1 Corona in bronzo / <i>Bronze wheel</i> / Bronzerad /							
2 Albero cavo limitatore / <i>Hollow shaft torque limiter</i> / Rutschkupplungs-Hohlwelle							
3 Anello di frizione / <i>Friction ring</i> / Reibring							
4 Distanziale molle / <i>Washers' distance ring</i> / Federdistanzring							
5 Linguetta / <i>key</i> / Passfeder							
8x7x10AB	10x8x13AB	12x8x18AB	12x8x40A	16x10x40A	16x10x50A	18x11x60A	
6 Molle a tazza / <i>Belleville washers</i> / Tellerfeder							
7 Ghiera / <i>Metal ring</i> / Metall Ring							
6005 25x47x12	6006 30x55x13	6008 40x68x15	6008 40x68x15	6010 50x80x16	6010 50x80x16	6012 60x95x18	
9 25x40x7	30x47x7	40x62x8	40x62x8	50x72x8	50x72x8	60x85x8	
10 30x40x5	35x47x7	48x62x8	48x62x8	58x72x8	58x72x8	70x85x8	
11 OR2087 21.95x1.78	OR2106 26.7x1.78	OR 36.27x1.78	OR 36.27x1.78	OR2187 47.37x1.78	OR2187 47.37x1.78	OR2225 56.87x1.78	
12 —			Distanziale / <i>Spacer</i> / Abstandshülse				