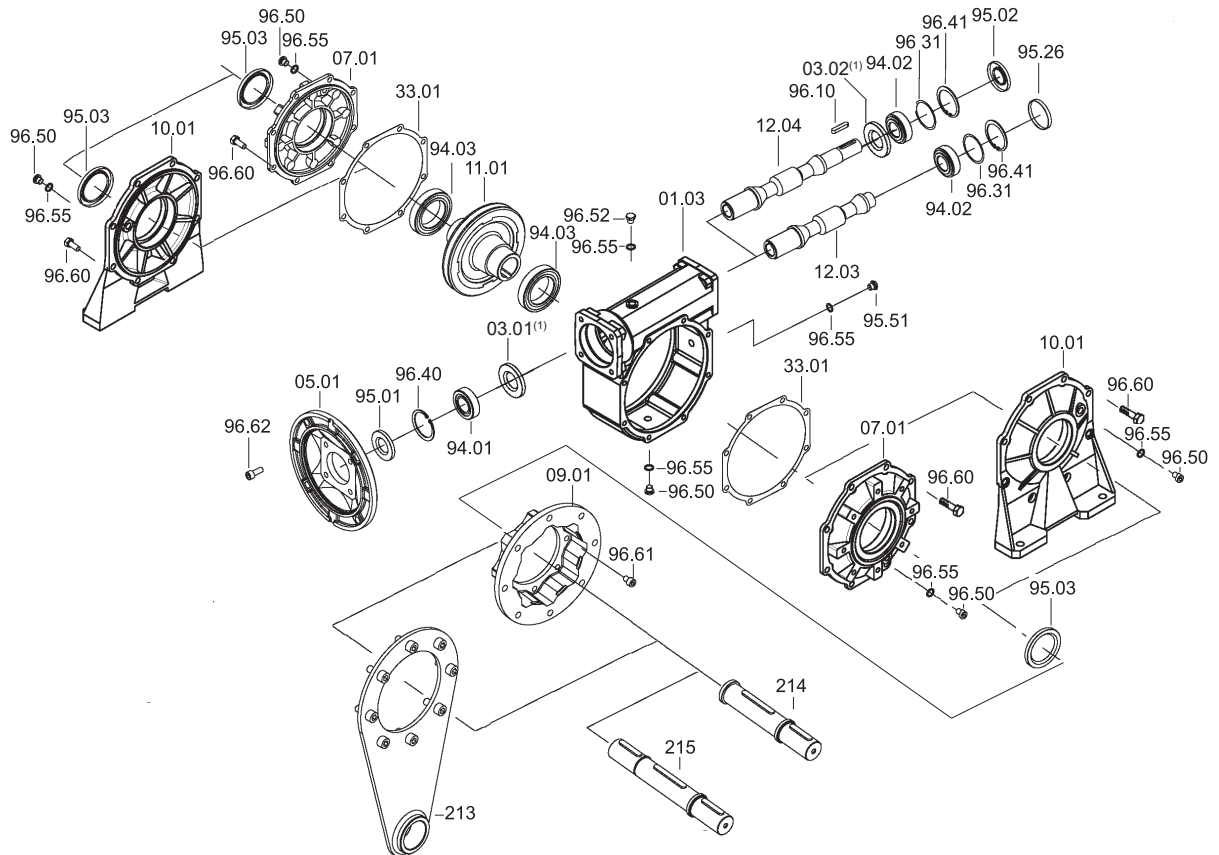


3.11 Lista de recambio

3.11 Spare parts list

3.11 Liste des pièces détachées

KC



(1): solo con KC89 / only with KC89 / seulement avec KC89

KC	IEC	Cojinetes / Bearings / Roulements				Retenes / Oilseals / Bagues d'étanchéité			Casquete / Closed oil seal / Capot			
		94.01	94.02	94.03	95.01	95.02	95.03	95.26				
30	56	61804 (20x32x7)	6000	6005	*32005	20/32/7	10/26/7	25/40/7	ø 26x7			
	63	61804 (20x32x7)	10x26x8	25x47x12	25x47x15	20/32/7						
40	56	6303 (17x47x14)	6201	6006	*32006	17/47/7	12/32/7	30/47/7	ø 32x7			
	63	6204 (20x47x14)				30x55x13				30x55x17	30x55x17	
	71	6005 (25x47x12)	12x32x10	30x55x13	30x55x17	25/47/7						
50	63	6204 (20x47x14)	6203	6008	*32008	20/47/7	17/40/7	40/62/8	ø 40x7			
	71	6005 (25x47x12)				17x40x12				40x68x15	40x68x19	25/47/7
	80	6006 (30x55x13)				40x68x15				40x68x19	30/55/7	
63	71	30305 (25x62x18.25)	30204	6008	*32008	25/62/7	20/47/7	40/62/8	ø 47x7			
	80	30206 (30x62x17.25)				20x47x15.25				40x68x15	40x68x19	30/62/7
	90	32007 (35x62x18)				40x68x15				40x68x19	35/62/7	
75	71	30206 (30x62x17.25)	30205	6010	*32010	30/62/7	25/52/7	50/72/8	ø 52x7			
	80	30206 (30x62x17.25)				25x52x16.25				50x80x16	50x80x20	30/62/7
	90	32007 (35x62x18)				50x80x16				50x80x20	35/62/7	
	100/112	32008 (40x68x19)				50x80x20				50x80x20	40/68/10	
89	80	6206 (30x62x16)	6205 C3	6010	*32010	30/62/7	25/52/7	50/72/8	ø 52x7			
	90	6007 (35x62x14)				25x52x15				50x80x16	50x80x20	35/62/7
	100/112	6008 (40x68x15)				50x80x16				50x80x20	40/68/10	
90	80	30206 (30x62x17.25)	32205B	6010	*32010	30/62/7	25/52/7	50/72/8	ø 52x7			
	90	32007 (35x62x18)				25x52x19.25				50x80x16	50x80x20	35/62/7
	100/112	32008 (40x68x19)				50x80x16				50x80x20	40/68/10	
110	90	30208 (40x80x19.75)	32206B	6012	*32012	40/80/10	30/62/7	60/85/8	ø 62x7			
	100/112	30208 (40x80x19.75)				30x62x21.25				60x95x18	60x95x23	40/80/10
	132	32010 (50x80x20)				60x95x18				60x95x23	50/80/10	
130	90	30208 (40x80x19.75)	33208	6015	*32015	40/80/10	40/80/10	75/100/10	ø 80x10			
	100/112	30208 (40x80x19.75)				40x80x32				75x115x20	75x115x25	40/80/10
	132	32010 (50x80x20)				75x115x20				75x115x25	50/80/10	

* Cojinetes de rodillos conicos a pedido - Tapered roller bearings on request - Roulements coniques sur demande